

FLOW

design Mario Mazzer + R&D Martex

MARTEX

An interactive display unit featuring a large screen with a bar chart. The chart compares data for '2017' and '2018' across various categories. The screen is framed by a light wood panel. To the left of the screen, there is a small diagram with text including 'LIST', 'HISTORY', and 'SEQUENCE'. The unit is supported by a black base.

A workstation consisting of a light wood desk on a black adjustable base. A white ergonomic office chair is positioned in front of the desk. A large, rectangular green privacy screen is attached to the back of the desk. A laptop is open on the desk surface.

A vertical wooden cabinet or divider with two main sections, each with a light wood grain finish. It is supported by a black base.

A workstation featuring a light wood desk on a black adjustable base. A white ergonomic office chair is positioned in front of the desk. A large, circular green privacy screen is attached to the back of the desk. A laptop is open on the desk surface.



Informal meetings, integrated electrification

en_The bench allows to connect modular elements creating pleasant informal meeting areas where the electrification is completely concealed.

it_La panca permette di agganciare elementi modulari che aggregati tra loro creano piacevoli ed informali aree meeting dove l'elettificazione viene totalmente integrata.

fr_La banquette permet d'accrocher éléments modulaires qui créent zones de réunion agréables et informelles où l'électrification est totalement intégrée.



Totally customizable

en_Connectivity, modularity and flexibility are the keywords that better describe the functionality of Flow bench. In fact, according to the elements which compose it, it transforms itself to meet every need.

it_Connettività, modularità e flessibilità sono le parole chiave che meglio descrivono le funzioni della panca Flow; infatti, in base agli elementi che la compongono, si trasforma per rispondere a qualsiasi esigenza.

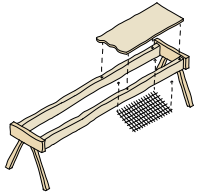
fr_Connectivité, modularité et flexibilité sont les mot clé qui mieux décrivent les fonctions de la banquette banc Flow; en base aux éléments qui la composent, elle se transforme pour répondre à toutes l'exigences.



Collaborative area

Elements / Elementi / Éléments

en_Electrifiable bench
it_Panca elettrificabile
fr_Banquette électrifié



L/W. 750 > 3000 mm
29 1/2" > 118 1/9"
P/D. 500 mm - 19 2/3"
H. 500 mm - 19 2/3"

en_Side table
it_Tavolino
fr_Tablette



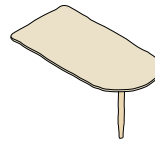
L/W. 200 mm - 7 7/8"
P/D. 400 mm - 15 3/4"
H. 300 mm - 11 4/5"

en_Cushion
it_Cuscino
fr_Coussin d'assise



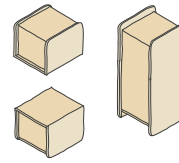
L/W. 450 > 3000 mm
17 5/7" > 118 1/9"
P/D. 400 mm - 15 3/4"
H. 120 mm - 4 5/7"

en_Hooked table
it_Tavolo agganciato
fr_Table accroché



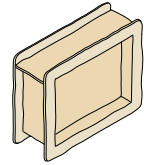
L/W. 1400 mm - 55 1/8"
P/D. 700 mm - 27 5/9"
H. 750 - 1050 mm
29 1/2" - 41 1/3"

en_Storages
it_Contenitori
fr_Rangements



L/W. 450 mm - 17 5/7"
P/D. 410 mm - 16 1/7"
H. 400 - 865 mm
15 3/4" - 34"

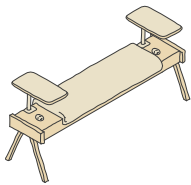
en_TV module
it_Modulo TV
fr_Module TV



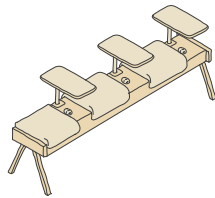
L/W. 1200 mm - 47 1/4"
P/D. 410 mm - 16 1/7"
H. 865 mm - 34"

en_One/double sided
it_Mono/bifacciale
fr_Single/double faces

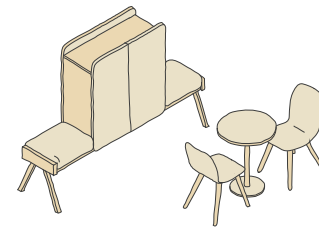
Compositions examples / Esempi composizioni / Exemples de configurations



L/W. 1800 mm - 70 6/7"
P/D. 500 mm - 19 2/3"
H. 800 mm - 31 1/2"



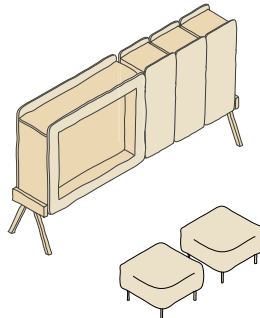
L/W. 2250 mm - 88 4/7"
P/D. 500 mm - 19 2/3"
H. 800 mm - 31 1/2"



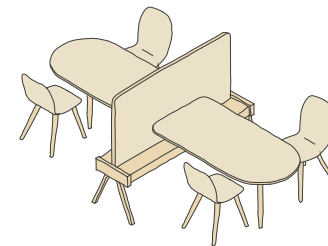
L/W. 1800 mm - 70 6/7"
P/D. 500 mm - 19 2/3"
H. 1300 mm - 51 1/6"



L/W. 2500 mm - 98 3/7"
P/D. 1400 mm - 55 1/8"
H. 850 mm - 33 1/2"



L/W. 2550 mm - 100 2/5"
P/D. 500 mm - 19 2/3"
H. 1300 mm - 51 1/6"



L/W. 1600 mm - 63"
P/D. 2850 mm - 112 1/5"
H. 1300 mm - 51 1/6"

Visible ergonomomy

en_With Flow, the ergonomics study is translated into height adjustable desks, analysis and development of accessible storage units in both sit and stand positions and in elements dedicated to welcoming and common areas sharing.

it_In Flow, lo studio dell'ergonomia, si traduce in scrivanie regolabili in altezza, nell'analisi e sviluppo di contenitori accessibili all'utente sia seduto che in piedi, e in elementi dedicati all'accoglienza e alla condivisione negli spazi comuni.

fr_Avec Flow, l'étude de l'ergonomie se traduit en bureaux réglables en hauteur, dans l'analyse et développement de rangements accessibles à l'utilisateur assis-debout, et en éléments dédiés à l'accueil et au copartage dans les espaces communes.



Invisible wiring

en_Flow is designed to provide electrification to the workplace through simple and quick access, allowing concealed but easy access to wiring inspection.

it_Flow nasce per elettrificare il posto di lavoro in modo semplice e veloce, permettendo cablaggi nascosti ma facilmente ispezionabili.

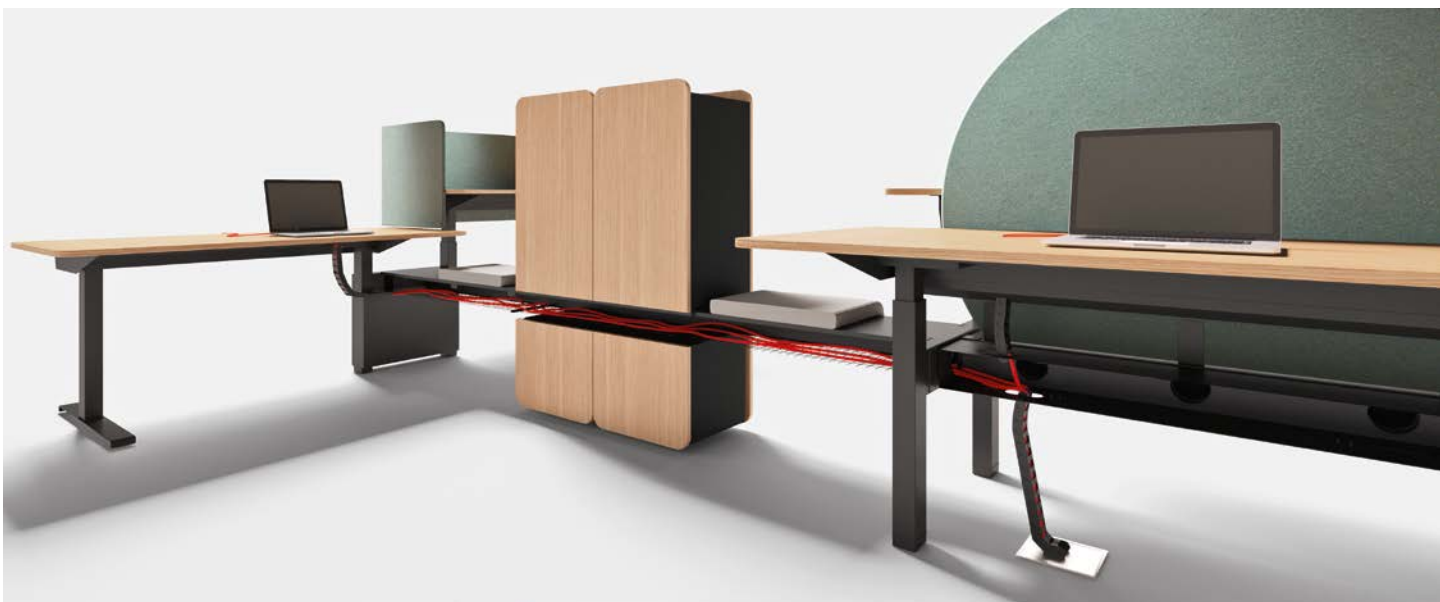
fr_Flow naît pour électrifier le poste de travail de manière simple et rapide, en permettant câblages cachés mais facilement accessibles.



Handset Basic



Handset + display
+ height memory



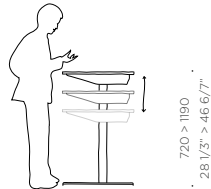
Working area solutions

Workstations / Postazioni / Postes de travail

Fixed
Fissa
Fixe

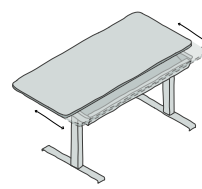


Sit to Stand
Sit to Stand
Assis-debout

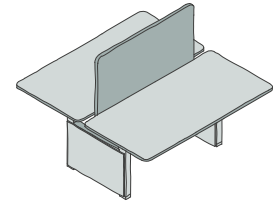


en_Upon request, only for single desk:
from H. 650 to 1250 mm / from H. 25 3/5" to 49 1/5"
it_A richiesta, solo per scrivanie singole:
da H. 650 a 1250 mm
fr_Sur demande, seulement pour single bureau:
de H. 650 à 1250 mm

Desks / Scrivanie / Bureaux

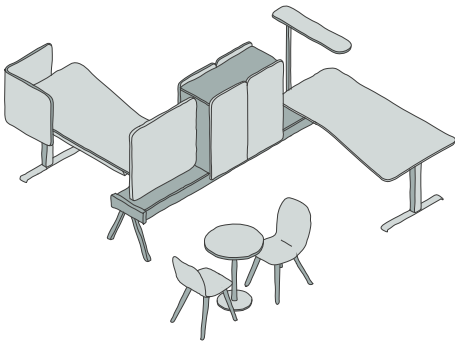


L/W. 1400 - 1600 - 1800 mm
55 1/8" - 63" - 70 6/7"
P/D. 700 - 800 mm - 27 5/9" - 31 1/2"

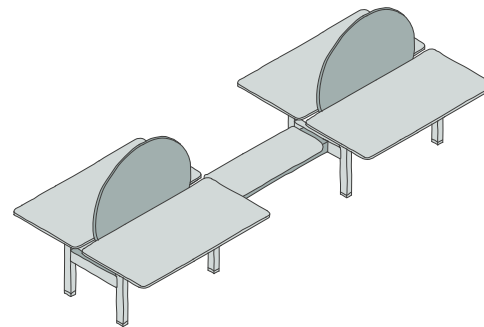


L/W. 1400 - 1600 - 1800 mm
55 1/8" - 63" - 70 6/7"
P/D. 1450 - 1650 mm - 57" - 65"

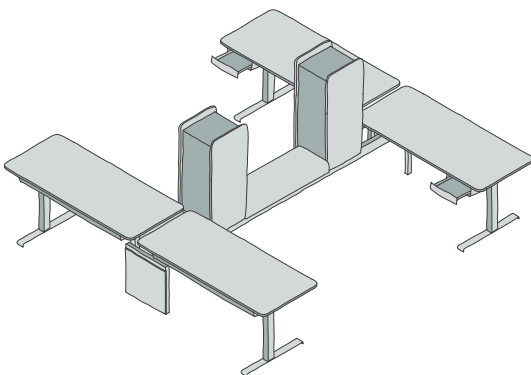
Compositions examples / Esempi composizioni / Exemples de configurations



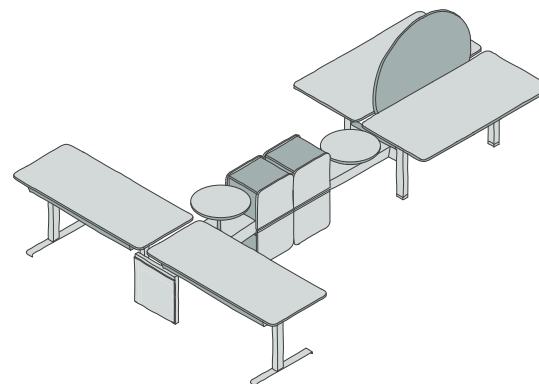
L/W. 2600 mm - 102 1/3"
P/D. 3250 mm - 128"
H. 1300 mm - 51 1/6"



L/W. 3700 - 4100 - 4500 mm
145 2/3" - 161 3/7" - 177 1/6"
P/D. 1450 - 1650 mm - 57" - 65"



L/W. 3200 mm - 126"
P/D. 2850 - 3250 - 3650 mm - 112 1/5" - 128" - 143 5/7"



L/W. 4400 mm - 173 2/9"
P/D. 2850 - 3250 - 3650 mm - 112 1/5" - 128" - 143 5/7"

